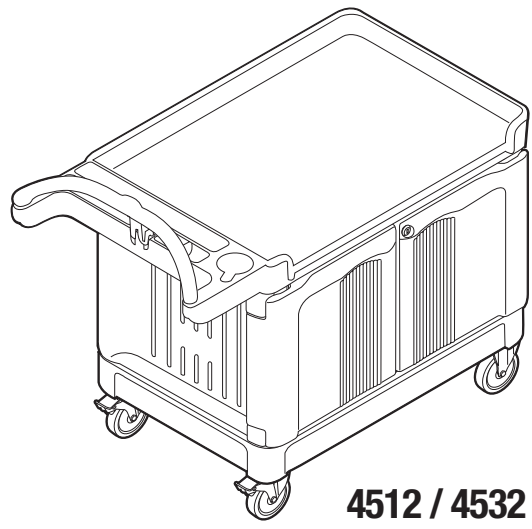
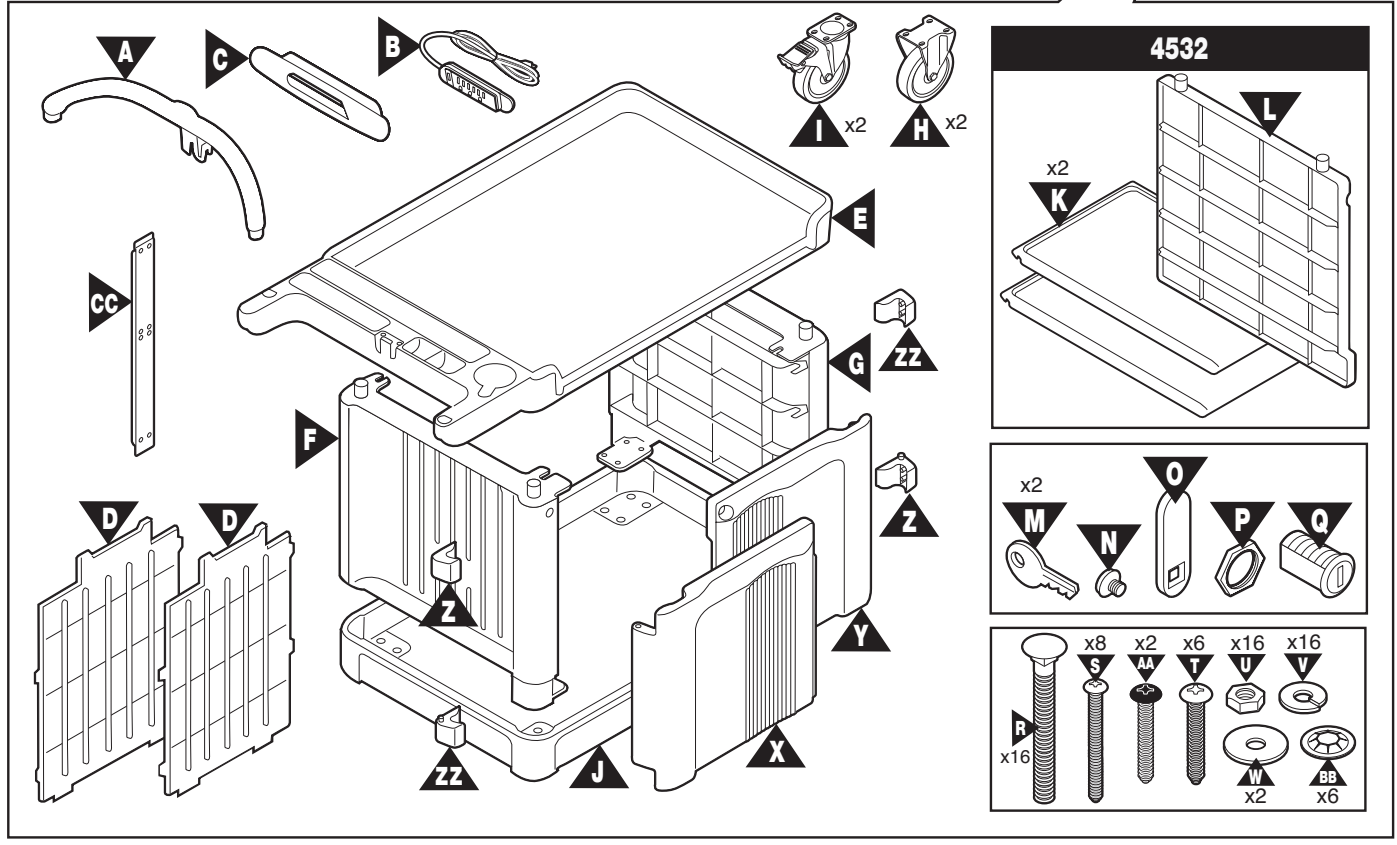
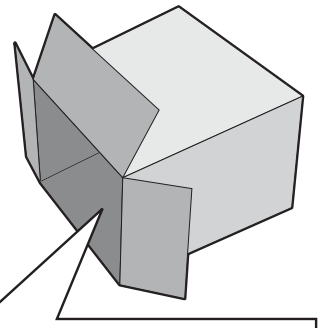
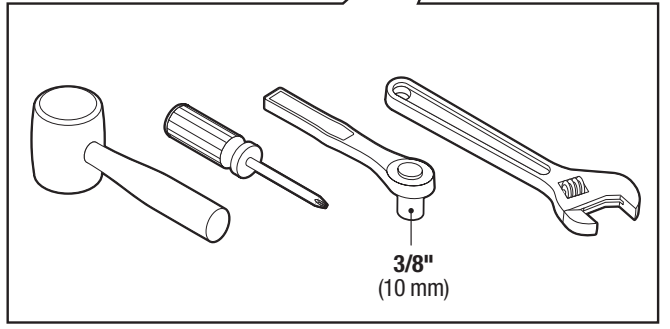
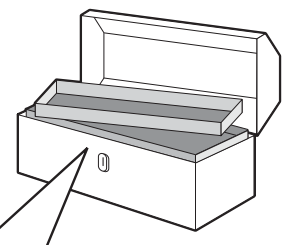


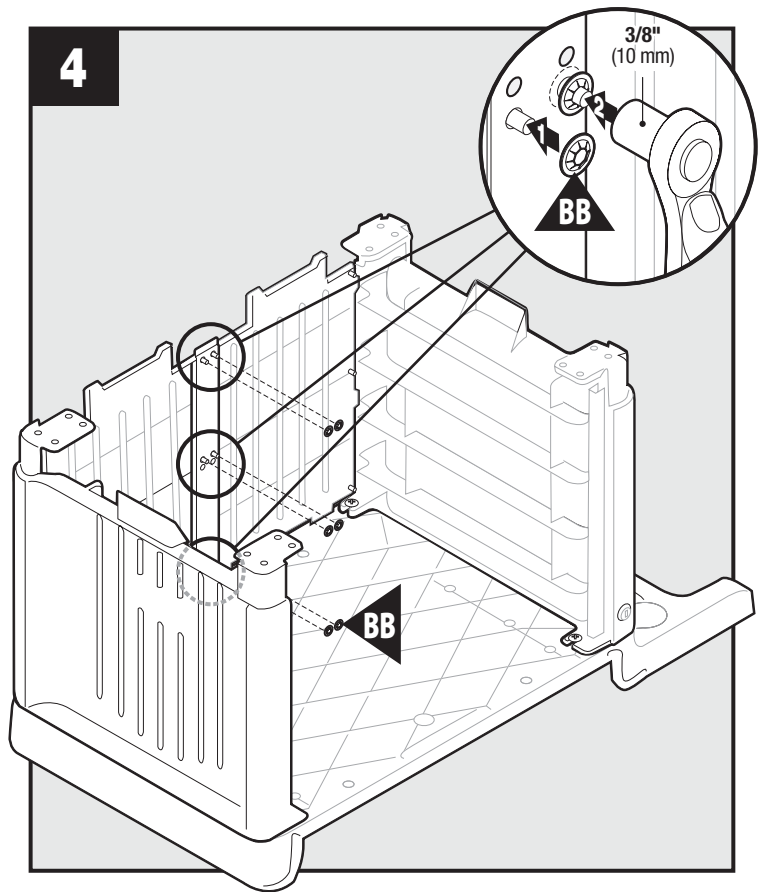
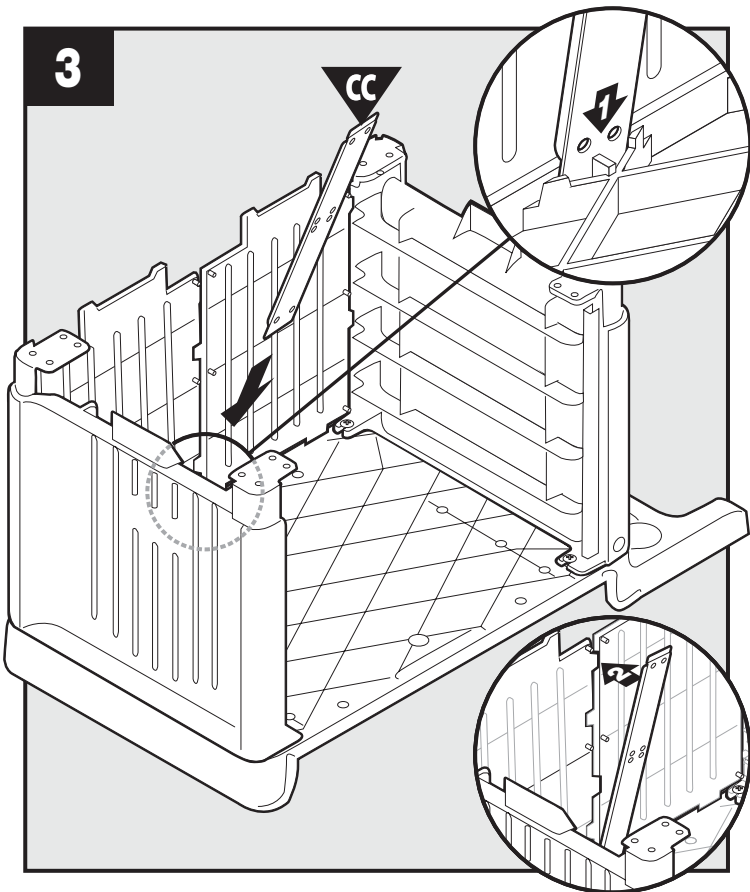
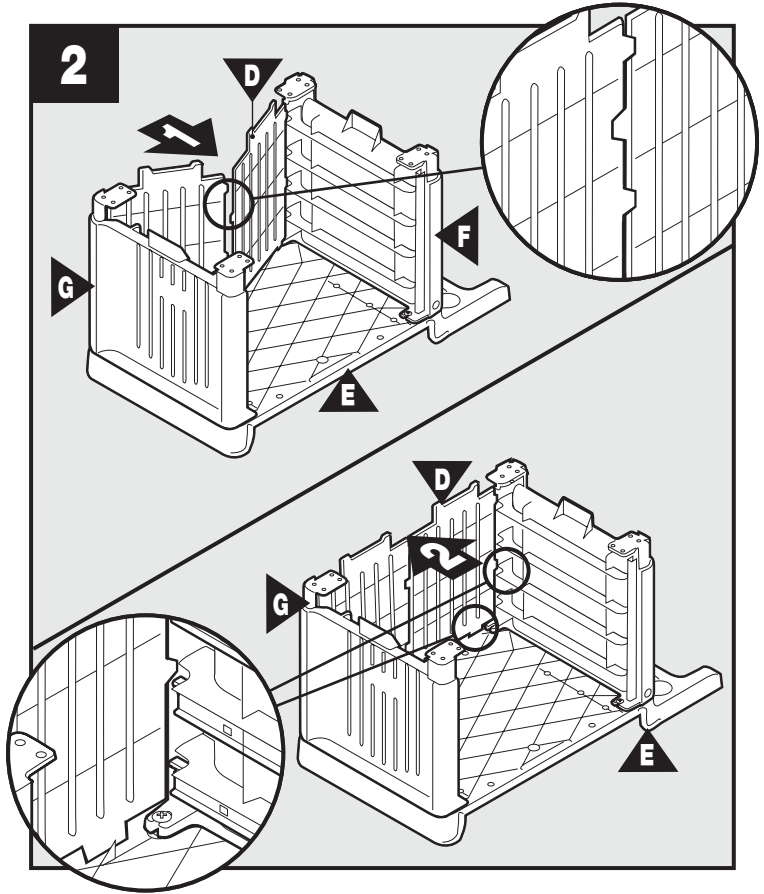
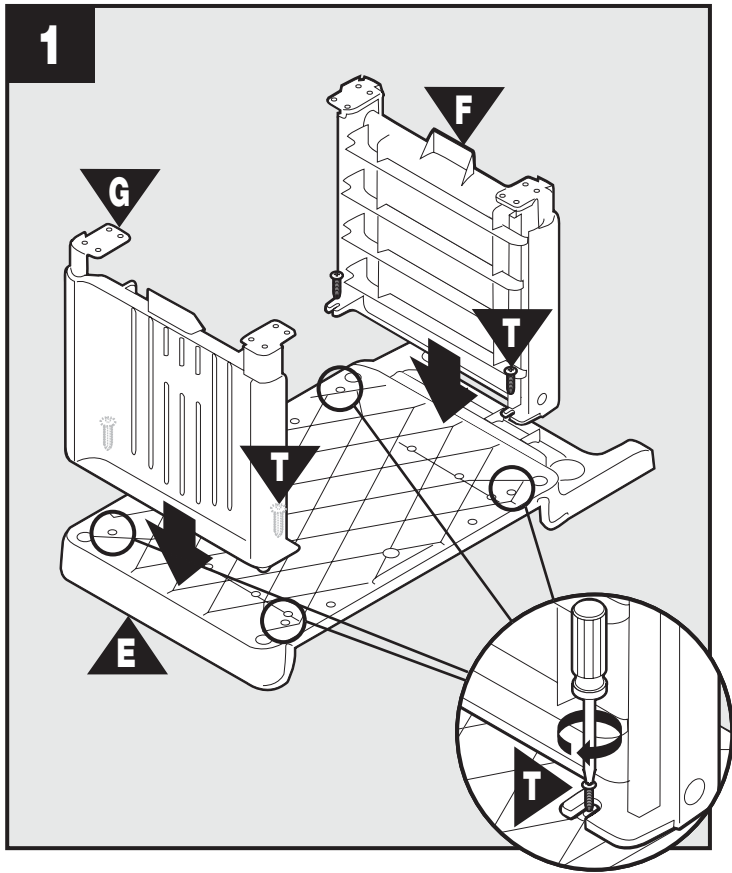


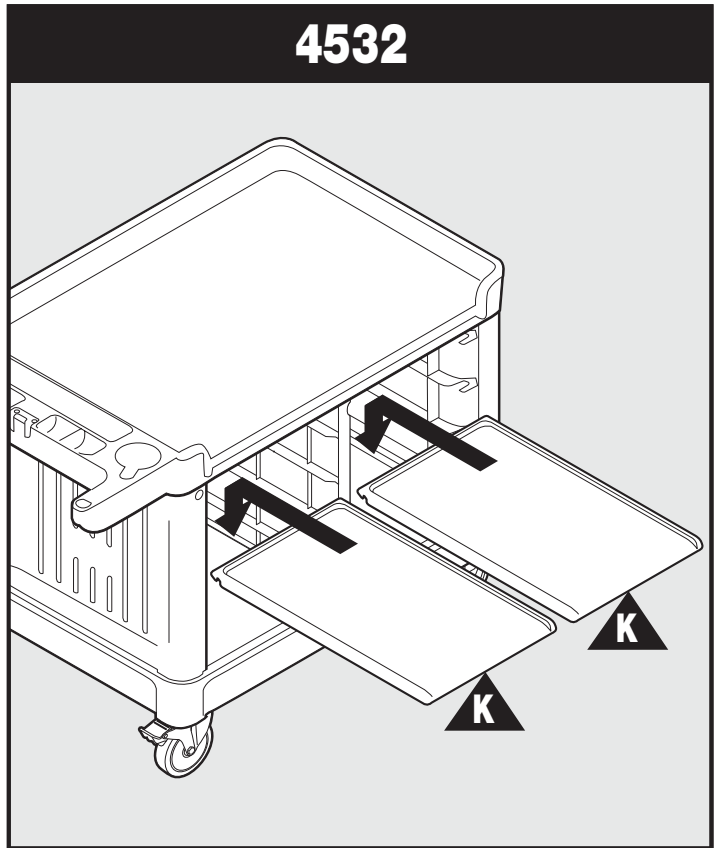
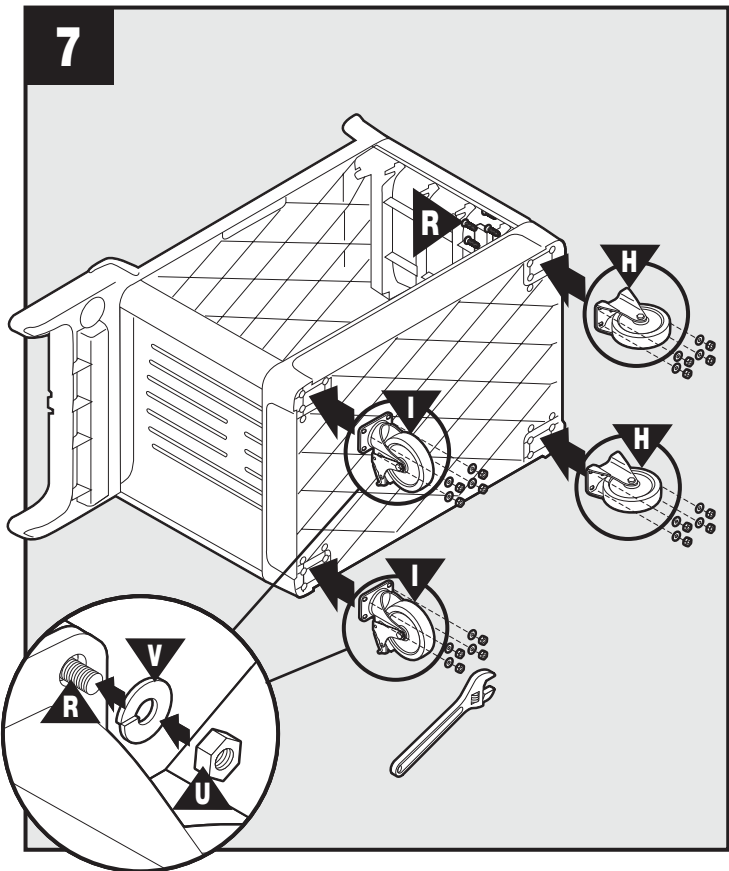
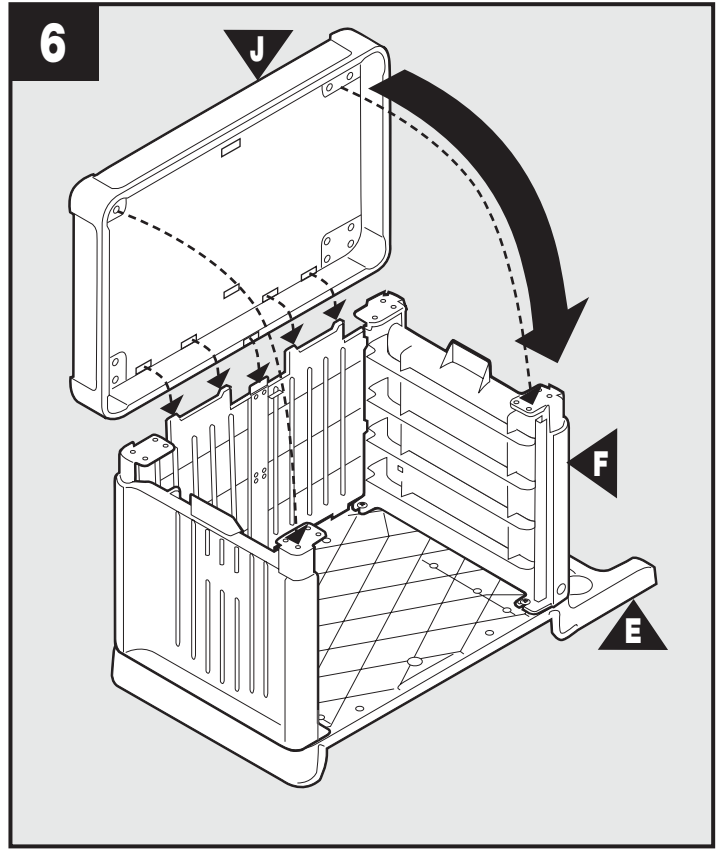
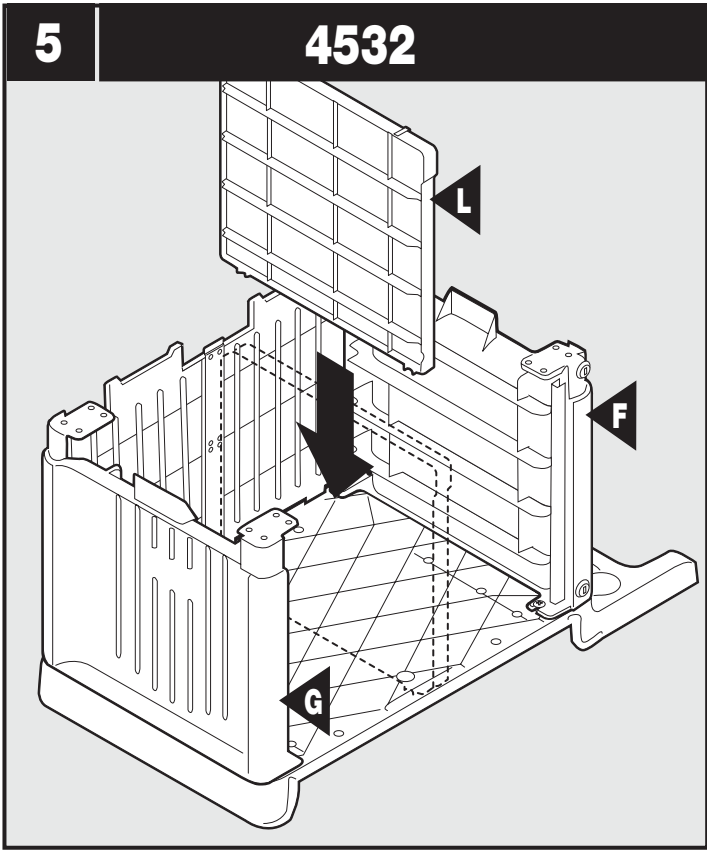
Commercial Products

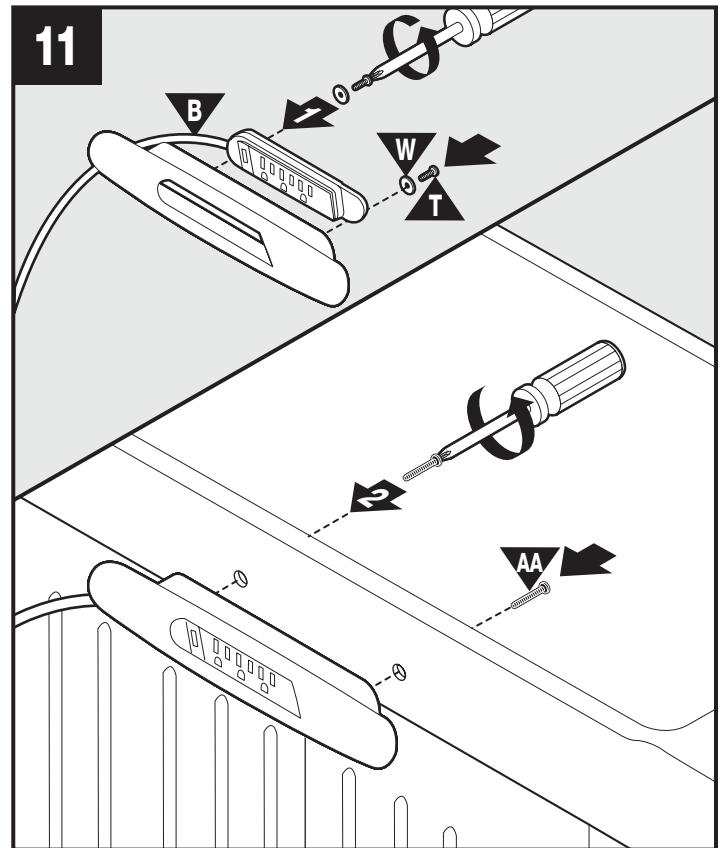
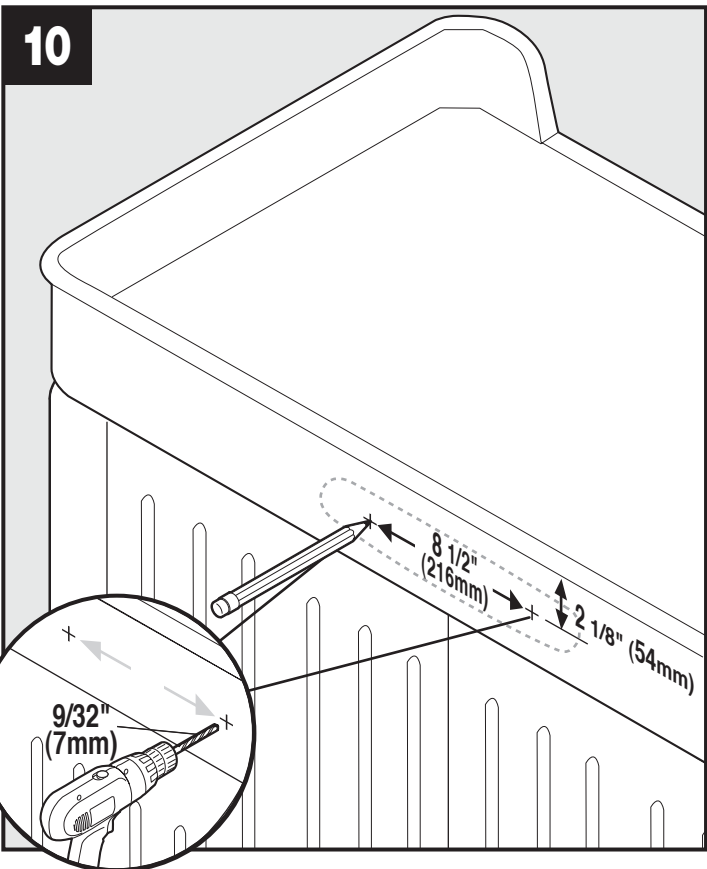
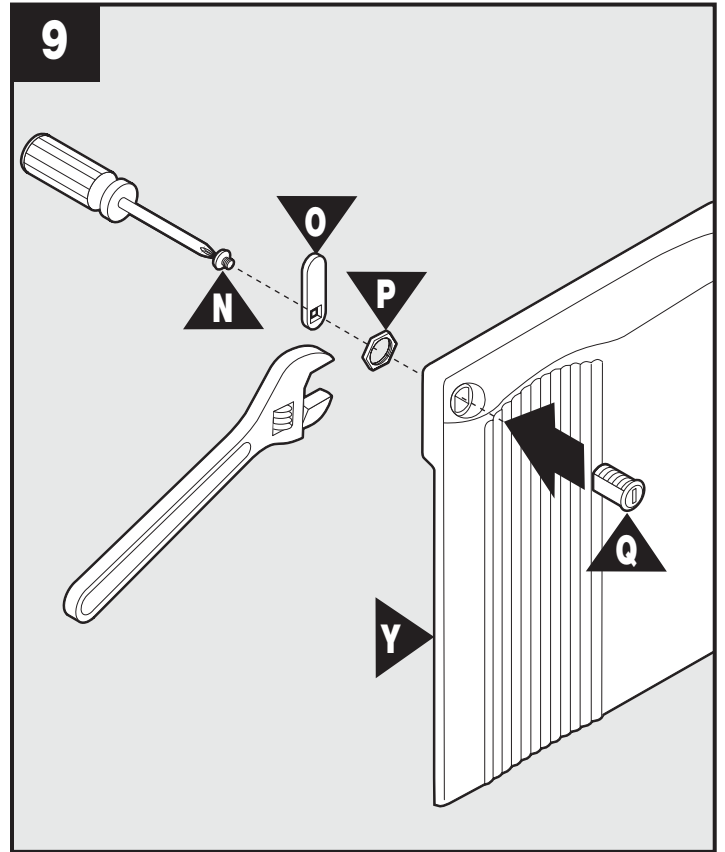
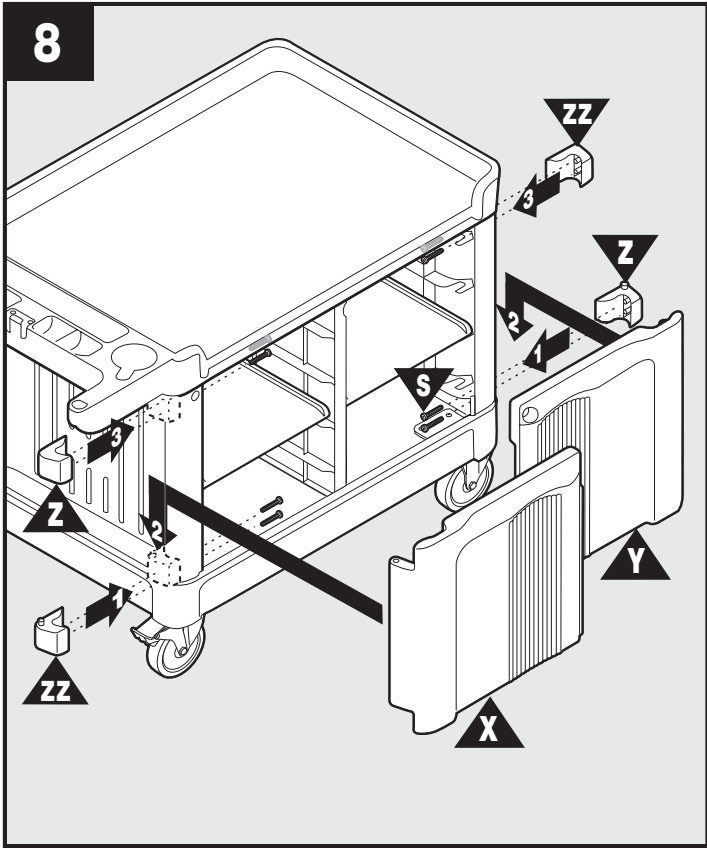


4512 / 4532

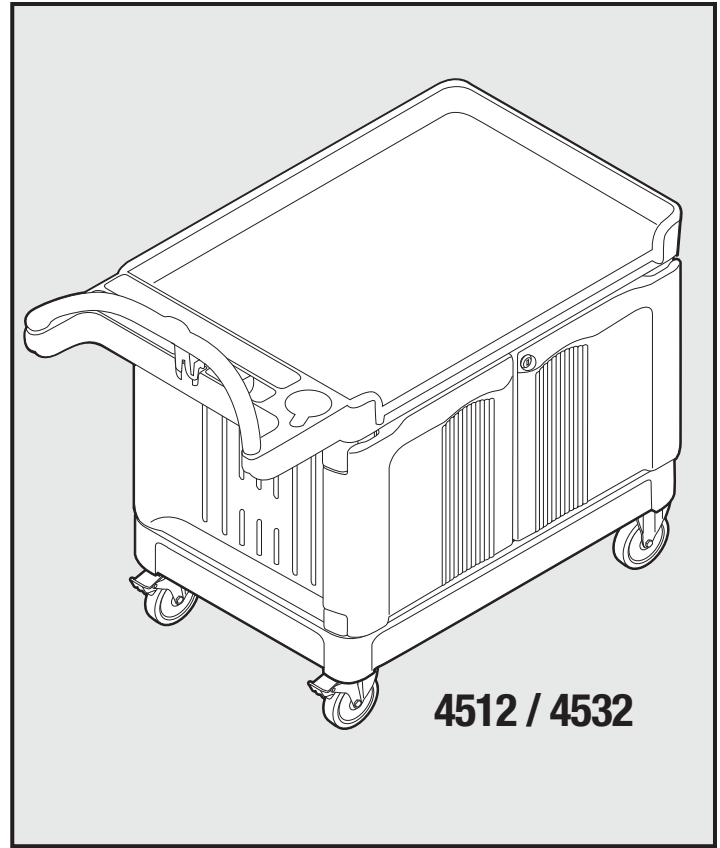
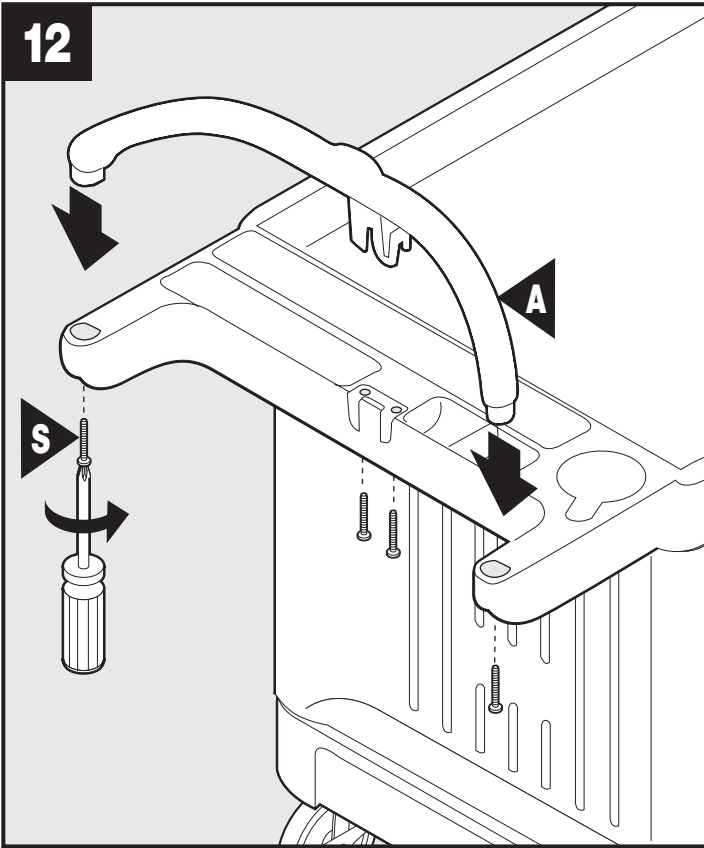






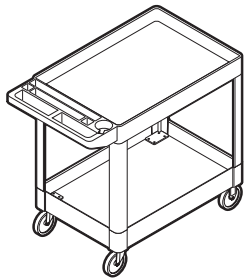


12

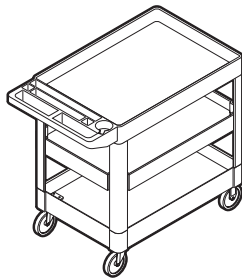


4512 / 4532

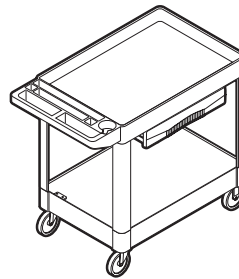
A CART FOR EVERY TASK / UN CARRITO PARA CADA TAREA / UNE CHARRETTE POUR CHAQUE TÂCHE



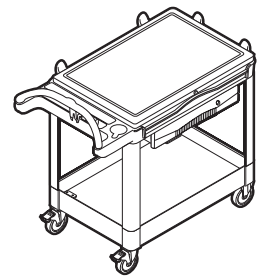
4500-88—17.8" x 39.3" x 33"h
 4520-88—25.8" x 45.1" x 33"h
 4546—25.3" x 54.8" x 33.4"h



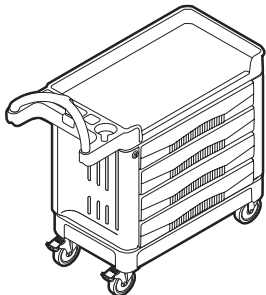
4510—17.8" x 39.3" x 33"h
 4530—25.8" x 45.1" x 33"h



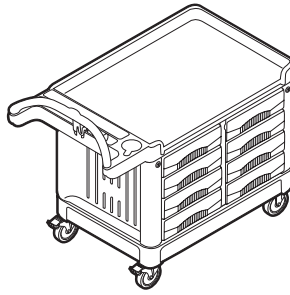
4511—17.8" x 39.3" x 33"h
 4531—25.8" x 45.1" x 33"h
 4547—25.3" x 54.8" x 33.4"h



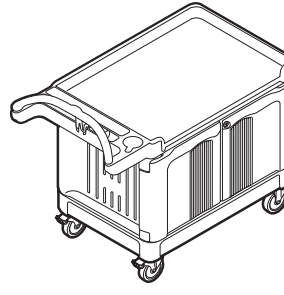
4535—26.3" x 47.8" x 34.6"h



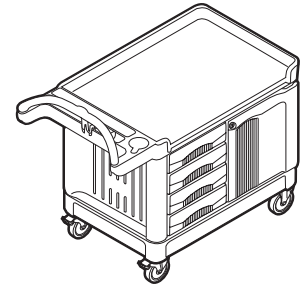
4513—18.4" x 40" x 33.4"h



4534—26.2" x 47.8" x 33.7"h



4512—18.3" x 41.1" x 33.4"h
 4532—26.2" x 48.95" x 33.7"h



4533—26.2" x 48.95" x 33.7"h
 4548—26.1" x 58.5" x 33.7"h

Products manufactured under quality management system registered to ISO 9002
 ©2003 Rubbermaid Commercial Products LLC
 Printed in U.S.A. 6/03
 Product #4532/4512
 Instruction #70-4512-00



Rubbermaid Commercial Products LLC
 3124 Valley Avenue
 Winchester, VA 22601 U.S.A.
 Phone: 540-667-8700
 Fax: 540-542-8770
 www.rubbermaidcommercial.com